



Simple. Smart. Sustainable.



XL3[®] Hybrid Electric Solution

➤ Provides a 25% increase in miles driven per gallon*

XL Hybrids, the leader in connected fleet electrification solutions, now gives commercial and municipal fleets a simple solution for lowering operating costs and meeting sustainability goals. Now fleets can enjoy up to a 25% increase in miles per gallon on pickups used for rugged towing, hauling capacity, and utility applications.

Big Savings

On fuel – 25% increase in miles per gallon*, so drivers can go longer between fill-ups.

On emissions – helps your fleet go green and meet sustainability goals by reducing CO2 emissions.

Superior Driveability

Vehicles equipped with the XL3 hybrid system drive just like the other units in your fleet – no driver training needed. There’s minimal impact on your maintenance schedule and fleet operations. With millions of fleet miles, XL Hybrids vehicles have a proven track record of 99.9+ % vehicle up-time.

Positive Payback

Fleets get an attractive payback even without government incentives. Plus, you’ll see immediate monthly savings on fuel costs.

Financing Options

Ford Motor Credit financing is available.

For Sales Call: 617.718.0329
or email sales@xlhybrids.com

xlhybrids.com | Simple. Smart. Sustainable.



Available directly, from Ford dealers as a new vehicle ship-thru upfit.

PICKUP AVAILABILITY

- Ford F-250 Pickup (6.2L engine)
- 4x2, 4x4 drivelines
- All wheelbase, cab, and bed size configurations

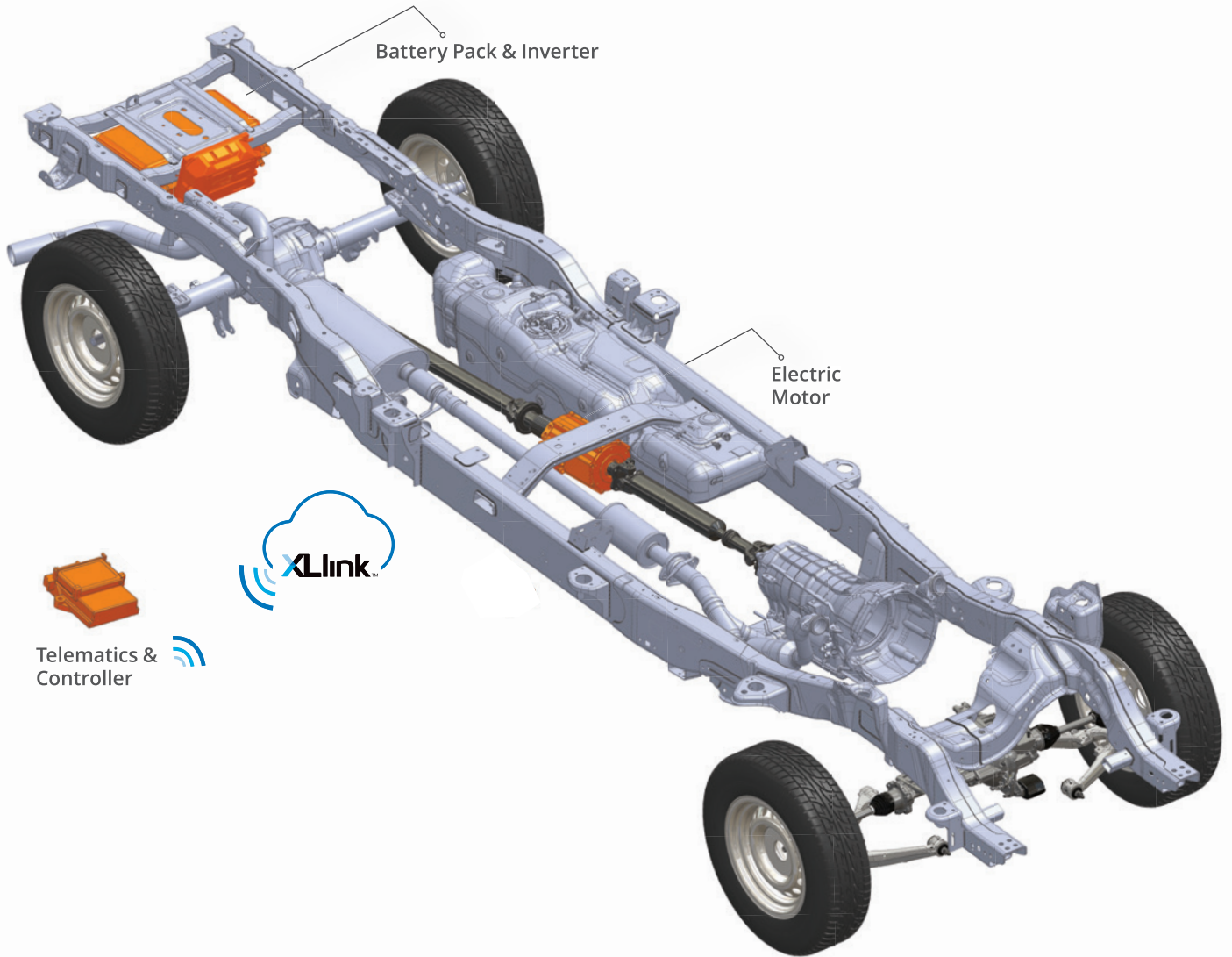
FLEET-READY™

- Better fuel efficiency from Ford’s class-leading 3/4 ton pickup
- Same Ford rating for towing and cargo capacity



*Actual MPG may vary.

XL3[®] Hybrid Electric Drive System



XL Hybrids has pioneered a hybrid electric powertrain that is revolutionary in its simplicity. Our powertrain technology is charge sustaining, which eliminates the need for plugs, return-to-base fueling, and added operating and maintenance costs. Our hybrid system saves fuel through regenerative braking, a process by which the electric motor helps slow the vehicle during braking to charge the hybrid battery. Then as the driver accelerates, the hybrid battery releases the stored energy to the electric motor, helping to propel the vehicle.

Hybrid Powertrain

System Voltage	259V
Lithium-Ion Battery	1.8 kWh
Hybrid System Torque (peak)	220 lb-ft (Added at Driveline)
Hybrid System Weight	350 lbs
Electronic Speed Governor	Up to 75 MPH
Hybrid Component Warranty	3-Year / 75,000 Miles

Specifications

2017_11_20_V1_US