



Simple. Smart. Sustainable.



XL3[®] Hybrid Electric Solution

➤ Provides a 25% increase in miles driven per gallon*

XL Hybrids, the leader in connected fleet electrification solutions, gives commercial van and shuttle fleets a simple solution for lowering operating costs and meeting sustainability goals. Our revolutionary hybrid technology seamlessly installs onto OEM powertrains and delivers a 25% increase in miles per gallon*. Plus, ordering is easy and now financing options are available.

Big Savings

On fuel – 25% increase in miles per gallon*, so drivers can go longer between fill-ups.

On emissions – helps your fleet go green and meet sustainability goals by reducing CO2 emissions.

On price – the XL3 Hybrid Electric Drive System is the lowest-priced, highest quality hybrid electric solution available today.

Superior Driveability

Vehicles equipped with the XL3 hybrid system drive just like the other units in your fleet – no driver training needed. There’s minimal impact on your maintenance schedule and fleet operations. With millions of fleet miles, XL Hybrids vehicles have a proven track record of 99.9+ % vehicle up-time.

Positive Payback

Fleets get a fast, attractive payback. Plus, you’ll see immediate monthly savings on fuel.

Financing Options

Save money from Month 1 with long-term financing – rates as low as 5.85%.**

For Sales Call: 617.718.0329
or email sales@xlhybrids.com

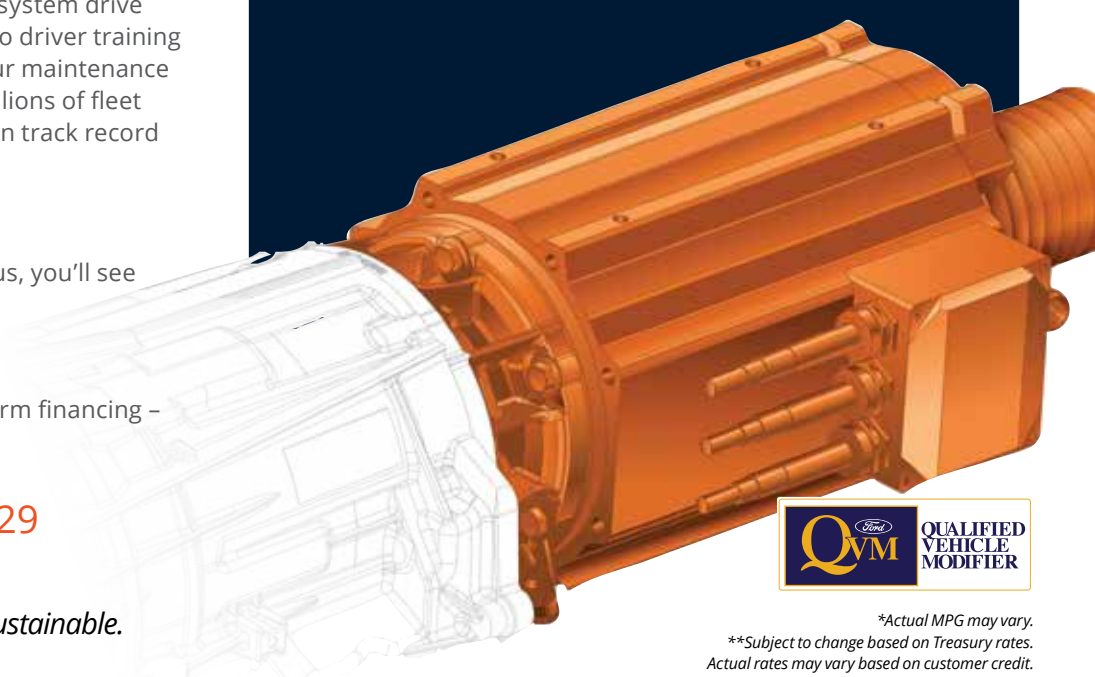
xlhybrids.com | Simple. Smart. Sustainable.



Easy integration as a new vehicle upfit or as a retrofit.

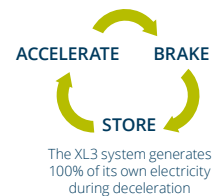
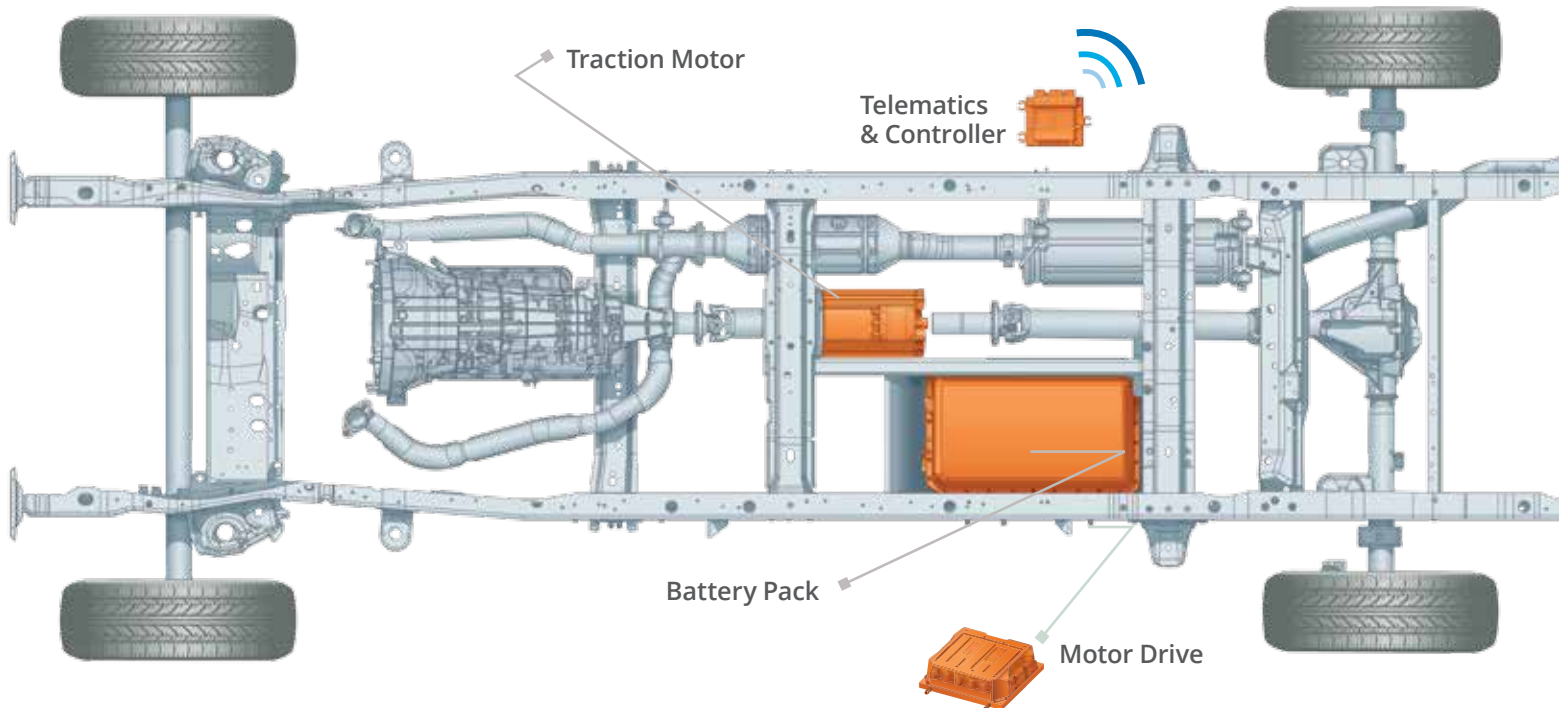
CUTAWAYS & STRIPPED CHASSIS AVAILABILITY

- Ford E-350/450 Cutaways and Stripped Chassis (5.4L, 6.2L and 6.8L engines)
- GM 3500/4500 Cutaways (4.8L and 6.0L engines)



*Actual MPG may vary.
**Subject to change based on Treasury rates.
Actual rates may vary based on customer credit.

XL3[®] Hybrid Electric Drive System



XL Hybrids has pioneered a hybrid electric powertrain that is revolutionary in its simplicity. Our powertrain technology is charge sustaining, which eliminates the need for plugs, return-to-base fueling, and added operating and maintenance costs. Our hybrid system saves fuel through regenerative braking, a process by which the electric motor helps slow the vehicle during braking to charge the hybrid battery. Then as the driver accelerates, the hybrid battery releases the stored energy to the electric motor, helping to propel the vehicle.

Hybrid Powertrain

System Voltage
Lithium-Ion Battery
Hybrid System Torque (peak)
Hybrid System Weight
Electronic Speed Governor
Hybrid Component Warranty

Specifications

259V
1.8 kWh
220 lb-ft
385 lbs
up to 85 MPH
3-Year / 75,000 Miles

2017_03_08_US